

SJST Series



SJ-T Series



韓國製造
MADE IN KOREA

ST-J / SJST 防火・防爆竊保險箱
ST-J / SJST Series Fire resistant · Anti-burglary Safes

功能與時尚共冶一爐

Capturing both ultimate function and style

SJST Series Strong anti-burglary

Using 12mm steel for the whole of safe, SJ-T Series is a powerful safe specialized for protection to be used safely in banks, jewelry shops and offices where large amounts of precious goods and cash are stored.

SJST系列機箱整體採用12mm厚鋼板，專業級防爆竊設計，適合銀行、珠寶店以至辦公室存放大量貴重物品使用。

完美性能“外柔內剛”

Perfect functionality, achieving
“An iron hand in a velvet glove”

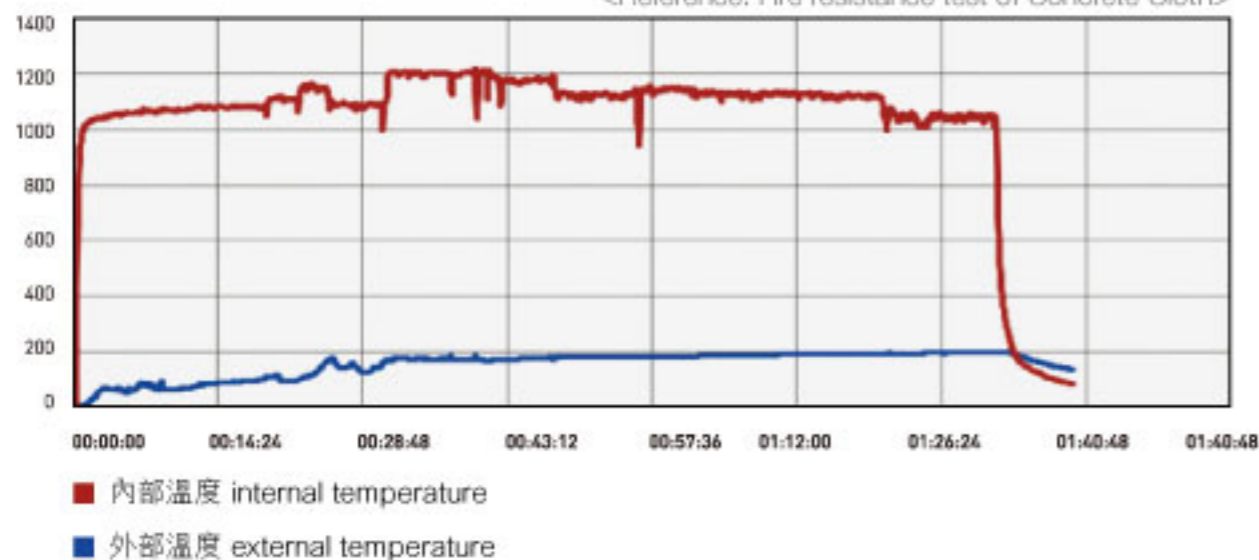
SJ-T Series Fire resistance

By using UK EN approved 13mm special concrete, it shows not only protection capabilities but also equipped with fire & water resistance capabilities.

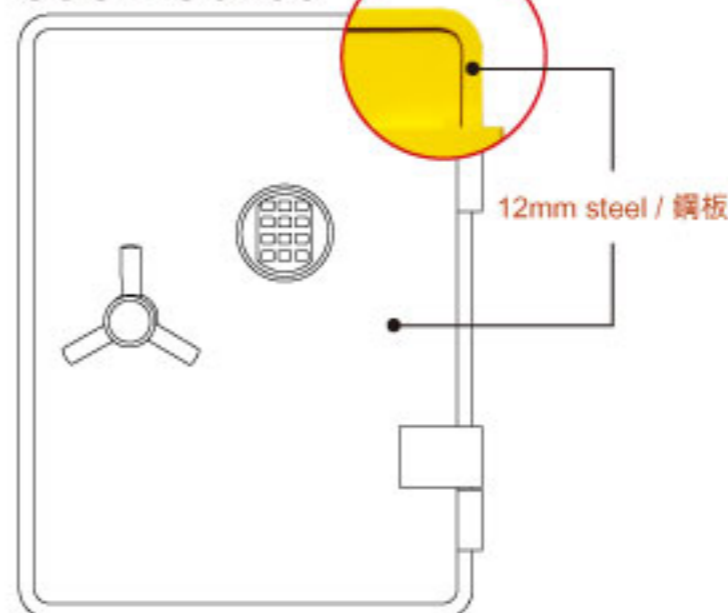
SJ-T系列使用UK EN認證—13毫米厚特殊物料，不單只是防盜，更同時擁有防火隔水的能力。

防火性能測試圖表 Fire-resistance graph for special concrete

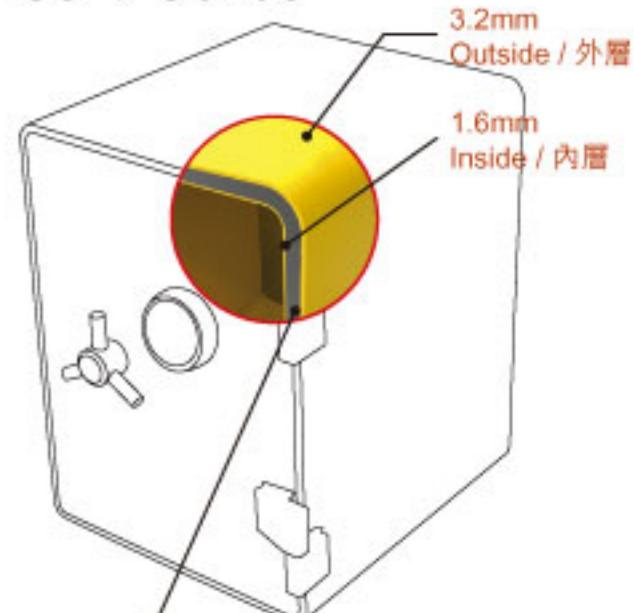
<Reference: Fire resistance test of Concrete Cloth>



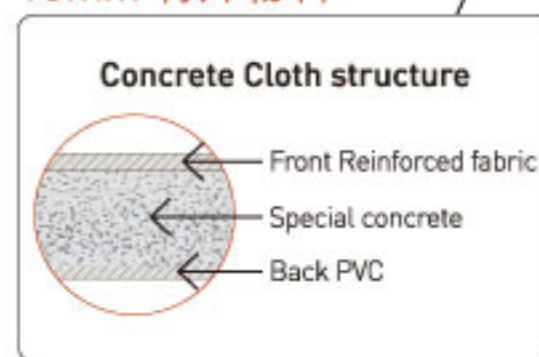
SJST Series



SJ-T Series



13mm 特殊物料



SJ-T系列面板

LED亮燈設計，
操作狀態一目了然。



SJST系列面板

隱藏式旋轉環解鎖，
防盜性能加倍。

辦公室：香港新界屯門河田街7-9號冠華鏡廠第六工業大廈第二座6樓全層

Tel: (852)2690 0221 Fax: (852)2690 0217 Email: info@anbea.com.hk

門市地址：香港灣仔軒尼詩道339號地舖

旺角彌敦道717D號地舖(彌敦道及旺角道交界)

ANBEA®

安普國際保險箱 您的保安專家

www.anbea.com.hk

專業認證：



Find us on facebook



SJST系列防爆竊保險箱

SJST Series Anti-burglary Safes

兩色可選：



鋼琴黑



香檳金



SJST-600



SJST-800



SJST-1000

型號	外尺寸 Outside	內尺寸 Inside	重量 Weight	層板 Shelf	抽屜 Tray
SJST-600	H610 × W452 × D550mm H24 × W17.8 × D21.6in	H560 × W404 × D400mm H22 × W16 × D15.6in	250kg	3	-
SJST-800	H810 × W552 × D550mm H32 × W21.6 × D21.6in	H760 × W510 × D400mm H30 × W20.1 × D15.6in	260kg	3	-
SJST-1000	H1012 × W562 × D550mm H40 × W22.1 × D21.6in	H962 × W516 × D400mm H38 × W20.3 × D15.6in	270kg	3	-



SJ-T585



SJ-T635



SJ-T740

ST-J系列防火保險箱

ST-J Series Fire resistant Safes



SJ-T1015



SJ-T1220



SJ-T1425



SJ-T1650

型號	外尺寸 Outside	內尺寸 Inside	重量 Weight	層板 Shelf	抽屜 Tray
SJ-T585	H530 × W485 × D530mm H21 × W19.1 × D21in	H380 × W320 × D300mm H15 × W12.5 × D11.7in	96kg	1	-
SJ-T635	H582 × W510 × D530mm H23 × W20.1 × D21in	H425 × W350 × D300mm H16.6 × W13.7 × D11.7in	113kg	1	-
SJ-T740	H690 × W560 × D570mm H27.2 × W22 × D22.4in	H520 × W385 × D330mm H20.4 × W15.5 × D13in	143kg	1	1
SJ-T1015	H965 × W610 × D585mm H38 × W24 × D23in	H795 × W435 × D345mm H31.3 × W17.1 × D13.5in	226kg	1	1
SJ-T1220	H1170 × W650 × D685mm H46.1 × W25.5 × D27in	H1000 × W475 × D345mm H39.4 × W18.6 × D13.5in	340kg	2	1
SJ-T1425	H1350 × W700 × D685mm H53 × W27.5 × D27in	H1160 × W550 × D400mm H45.6 × W21.6 × D15.6in	412kg	2	1
SJ-T1650	H1575 × W788 × D700mm H62 × W31 × D27.5in	H1385 × W638 × D415mm H54.4 × W25.1 × D16.3in	518kg	3	1